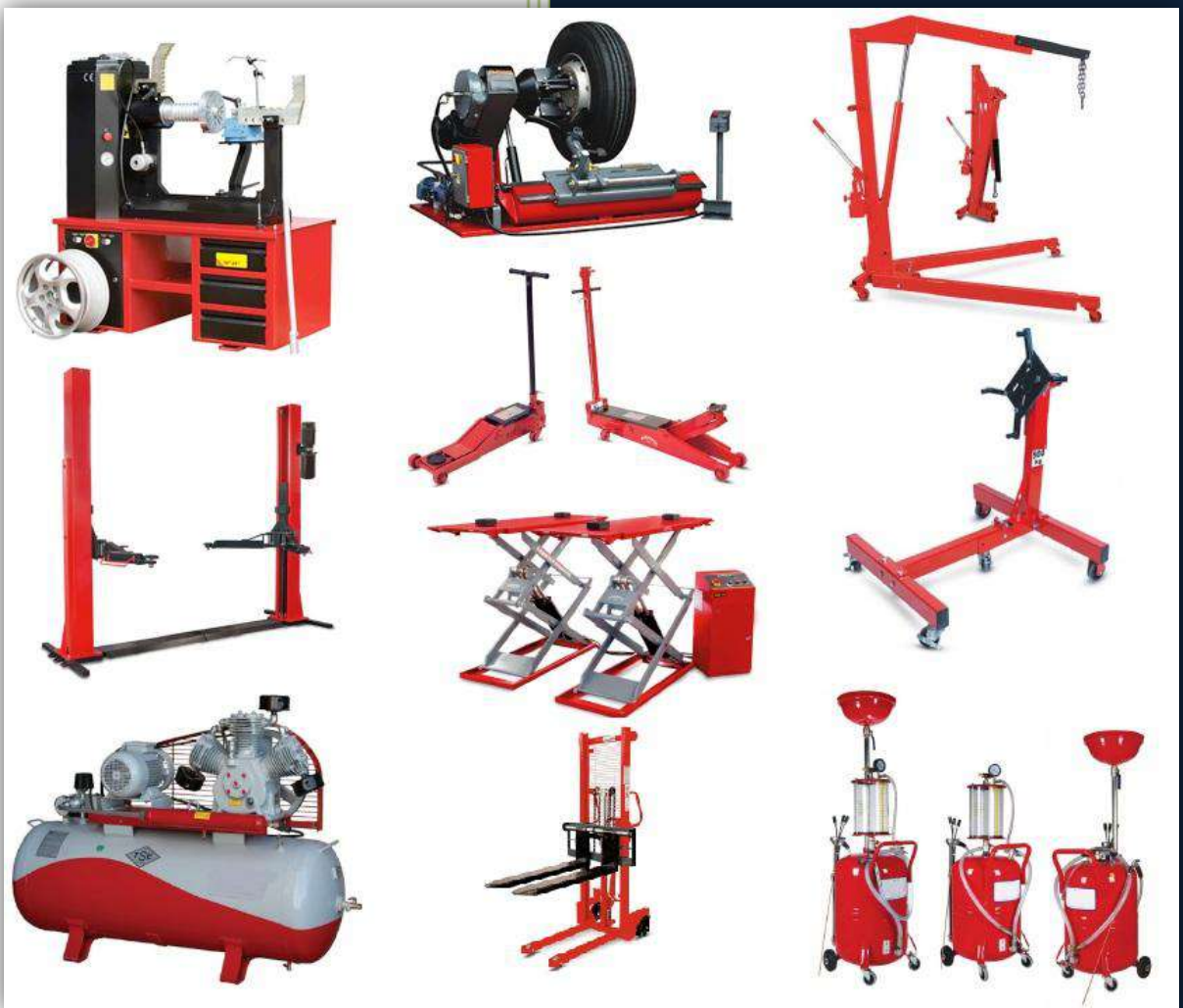


Service & Garage Equipments





ABOUT US

GARAGE TECHNIC, has been active in the garage equipment field as a manufacturer of Industrial Parts Washing Machines in Konya, Turkey. The first product was an Industrial Parts Washing Machines which gained a significant market share in only a short time because of its superior quality and has been exported for many different countries.

Since then, we continue to expand our product range with several Service & Garage Equipments . Now, we have several machines and equipment for services, garages, tyre shops and work shops.

To propose original and innovative technologies and to anticipate market requirements, we are working continuously and always using high quality raw materials and parts in the production.

Our mission is to meet the latest customer requirements, develop new technologies and perfect machines with increasing their productivity, profitability and combining user-friendly features.

Our target is to have a leading position on the international market.

GARAGE TECHNIC is a brand of MARKET ISTANBUL ENGINEERING & AUTOMOTIVE.

INDEX

PRODUCTS	PAGE
Wheel Straightening & Lathe Machines	3 - 18
Tyre Changer Machine	19 - 25
Lifts	26 - 30
Jacks and Cranes	31 - 38
Garage Equipments and Tools	39 - 42
Compressors	43 - 44
Work Shop and Brake Shoe Presses	45 - 49
Oil Suction and Drainer	50 – 51
Coil Car	52
Transpallet	53 - 54

JD1024 Manual Hydraulic Rim Press Machine



JD1024 Hydraulic Rim Press Machine has been designed to use by each service operators who work in tyre and rim shops. It has special design to learn and use easier. Especially for healthy balancing operation, we have to reduce the balance value on the wheels in acceptable conditions. It should be combined with wheels balancers to be prepatation before wheel balancing.

Technical informations

MODEL	JD1024
Maximum Rim Diameter	10" 24"
Maximum Rim Width	12"
Hydraulic Engine Power	Manual Pump
Axle Engine Power	0.25 kW, 380 V. 50 Hz. 3 Phase
Working Pressure	0-150 bar (Standard 125 Bar)
Sound Level	70 dBA
Dimensions (mm)	600 X 1000 X 1550
Weight (kg)	185

Standard



Optional



JDT1026 Wheel Straightening & Lathe Machine



Technical informations

MODEL	JDT1026
Maximum Rim Diameter	10" 26"
Maximum Rim Width	12"
Hydraulic Engine Power	0,757 kW, 380 V, 50 Hz, 3 Phase
Axle Engine Power	100 Hp, 100 rpm, 0.75 kw
Working Pressure	0-250 bar (Standard 150 bar)
Sound Level	70 dBA
Dimensions (mm)	1250*700*1500
Weight (kg)	400



Standard



Optional

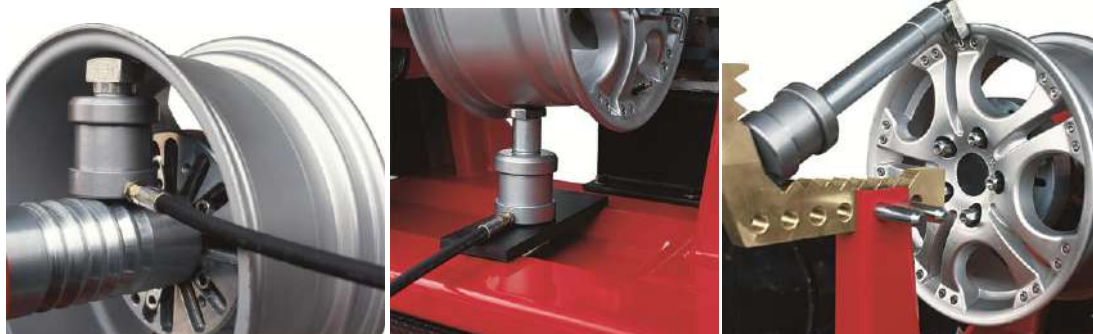


JDT1028 Wheel Straightening & Lathe Machine



Technical informations

MODEL	JDT1028
Maximum Rim Diameter	10" 28"
Maximum Rim Width	12"
Hydraulic Engine Power	0,757 kW, 380 V, 50 Hz, 3 Phase
Axle Engine Power	100 Hp, 100 rpm, 0.75 kw
Working Pressure	0-250 bar (Standard 150 bar)
Sound Level	70 dBA
Dimensions (mm)	1250*700*1500
Weight (kg)	400



Standard



Optional



TJD1726 Wheel Straightening Machine

Truck & Bus



TJD1726 Wheel Straightening Machine has been designed to use by each service operators who work in tyre and rim shops. It is especially suitable for Truck and Bus rims. It has special design to learn and use easier.

Technical informations

MODEL	TJD1726
Maximum Rim Diameter	17" 26"
Maximum Rim Width	16"
Hydraulic Engine Power	0.37 kW, 50 Hz, 380 V 3 Phase
Axle Engine Power	100 hp/100 rpm, 0.75 kW
Working Pressure	0-200 bar (Standard 150 bar)
Sound Level	70 dBA

Standard



Optional



JDT1030 Wheel Straightening & Lathe Machine



JDT1030 Wheel Straightening Machine has been designed for straightening rims from 10'' to 30''. It works with same principle of stable balance machines. The working principle is like balancing weight... giving opposite effects with mobil piston to inclined sides of the rims. Design of the machine gives operation easiness for alloy and steel rims. The active hydraulic piston can operate each sides of bended rims. Damaged rims are easily fixed by JDT1030 Wheel Straightening Machine and operation take sometimes just a few minutes. Optional lathe apparatus lathes damaged edges of the rims after straightening process.

Technical informations

MODEL	JDT1030
Maximum Rim Diameter	10'' 30''
Maximum Rim Width	20''
Hydraulic Engine Power	0.37 kW, 50 Hz, 380 V 3 Phase
Axle Engine Power	100 Hp, 100 rpm, 0.75 kw
Working Pressure	0-200 bar (Standard 150 bar)
Sound Level	70 dBA
Dimensions (mm)	1300*800*1700
Weight (kg)	500



Standard



Optional



JDT1030-4 Wheel Straightening & Lathe Machine

4 piston



JDT1030-4 Wheel Straightening Machine has been designed for straightening rims from 10" to 30". It works with same principle of stable balance machines. The working principle is like balancing weight... giving opposite effects with mobil piston to inclined sides of the rims.

JDT1030-4 Wheel Rim Straightening Machine has been designed to use by each service operators who work in tyre and rim shops. It has special design to learn and use easier. Especially for the healthy balancing operation we have to reduce the balance value on the wheels in acceptable conditions. It should be combined with wheel balancers to be preparation before wheel balancing. Also the process time is reduced much by 4 piston.

Technical informations

MODEL	JDT1030-4
Maximum Rim Diameter	10" 30"
Maximum Rim Width	20"
Hydraulic Engine Power	0.37 kW, 50 Hz, 380 V 3 Phase
Axle Engine Power	100 Hp, 100 rpm, 0.75 kw
Working Pressure	0-200 bar (Standard 150 bar)
Sound Level	70 dBA
Dimensions (mm)	1300*800*1700
Weight (kg)	500

Standard



Optional



JD1030 Wheel Straightening Machine



JD1030 Wheel Straightening Machine has been designed to use by each service operators who work in tyre and rim shops. It has special design to learn and use easier. Especially for the healthy balancing operation we have to reduce the balance value on the wheels in acceptable conditions. It should be combined with wheel. We deliver various rim centering rings, piston extension arms, rim fixing kit, straightening heads, bead straightening with machines as standart accessories.

Technical informations

MODEL	JD1030
Maximum Rim Diameter	10" 30"
Maximum Rim Width	12"
Hydraulic Engine Power	0,757 kW, 380 V, 50 Hz, 3 Phase
Axle Engine Power	100 Hp, 100 rpm, 0,75 kw
Working Pressure	0-175 bar (Standard 150 Bar)
Sound Level	70 dBA
Dimensions (mm)	1150*700*1950
Weight (kg)	705

Standard



14 pcs rim centering rings
14 adet jant merkezieme bilezikleri



5 pcs M12*80 imbus
5 adet M12* 80 setskur saplamaları



4 pcs piston lengtening arms
4 adet piston uzatma kolları



5 pcs straightening heads
5 adet jant düzeltme başlıkları



5 pcs nm coupang nuts
5 adet jant bağlama somunları



5 pcs nm conical thimles
5 adet jant konik burçları



3 pcs piston extension thimbles
3 adet piston adaptör burçları



5 pcs M12 nuts
5 adet M12 somunları



1 pcs bead straightening levler
1 adet damak düzeltme levye



2 pcs M12 double nuts
2 adet M12 çiftli somunları

NJD1030 - NC Control Wheel Straightening Machine



NJD1030 NC Control Rim Straightening Machine has been designed to use by each service operators who work in tyre and rim shops. It has special design to learn and use easier. Especially for the healthy balancing operation we have to reduce the balance value on the wheels in acceptable conditions. It should be combined with wheel.

NJD1030 NC Control Rim Straightening Machine checks damaged sides of the rims with electronic gauge which works by NC control and brings bended sides automatically under the piston. Working principle is giving opposite effects to the rims from (+) outside or (-) inside damages by hydraulic pistons straightening. We have used nowadays computer technologies on NJD1030 NC Control Rim Straightening Machine and now it is easier to find out and repair of inclined sides of the damaged rims.

Technical informations

MODEL	NJD1030
Maximum Rim Diameter	10" 30"
Maximum Rim Width	12"
Hydraulic Engine Power	0,757 kW, 380 V, 50 Hz, 3 Phase
Axle Engine Power	100 Hp, 100 rpm, 0,75 kw
Working Pressure	0-175 bar (Standard 150 Bar)
Sound Level	70 dBA
Dimensions (mm)	1150*700*1950
Weight (kg)	705

Standard



14 pcs rim centering rings
14 adet jant merkezieme bilezikleri



5 pcs M12*80 imbus
5 adet M12* 80 setskur saplamaları



4 pcs piston lengtening arms
4 adet piston uzatma kolları



5 pcs straightening heads
5 adet jant düzeltme başlıkları



5 pcs nm coupang nuts
5 adet jant bağlama somunları



5 pcs nm conical thimles
5 adet jant konik burçları



3 pcs piston extension thimles
3 adet piston adaptör burçları



5 pcs M12 nuts
5 adet M12 somunları



1 pcs bead straightening levler
1 adet damak düzeltme levye



2 pcs M12 double nuts
2 adet M12 çiftli somunları

TC26 Tire Changer Machine



TC26 Tire Changer Machine is semiautomatic tyre changer suitable for mounting and demounting tubeless tyre van, truck and bus wheels, supersingle wheels with rim loop. It is electro-hydraulic operated and the controls are all located together on a low voltage portable unit. The hydraulic turntable has top-range design and uses choice materials. It assures excellent clamping during the delicate clamping, bead and tyre demounting functions. Optional double speed feature give easiness while mounting demounting operation.

Technical informations

MODEL	TC26
Max Wheel Width	780 mm
Max Wheel Diameter	1.767 mm
Max Wheel Weight	1.200 kg
Rotation Speed	7 rpm
Bead Breaker Power	2000 - 2500 Kg
Voltage	380 V, 3 Phase
Handles Rims Capacity	14" 26"
Pump Motor	1,1 kw
Gearbox Motor	1,5 kw
Working Pressure	0-200 bar (Standard 180 bar)
Control Panel	24 V
Sound Level	70 dBA
Optional Specification	Double Speed
Dimensions (mm)	1420*1770*930
Weight (kg)	650 kg

Standard



Optional



TC56 Heavy Duty Tire Changer Machine



TC56 Tire Changer Machine is semiautomatic tyre changer suitable for mounting and demounting truck, agricultural, industrial and construction equipment wheels up to maximum width of 980 mm. It is electro-hydraulic operated and the controls are all located together on a low voltage portable unit. The hydraulic turntable, with two rotation speeds in both directions, has top-range design features and uses choice materials. It assures excellent clamping during the delicate clamping, bead breaking and tyre demounting functions. Optional double speed feature give easiness while mounting demounting operation.

Technical informations

MODEL	TC56
Max Wheel Width	980 mm
Max Wheel Diameter	2.480 mm
Max Wheel Weight	2.500 kg
Rotation Speed	7-14 rpm
Bead Breaker Power	2000 - 2500 Kg
Voltage	380 V, 3 Phase
Handles Rims Capacity	14" 56"
Pump Motor	1,5 kw
Gearbox Motor	2,2 kw
Working Pressure	0-200 bar (Standard 180 bar)
Control Panel	24 V
Sound Level	70 dBA
Optional Specification	Double Speed
Dimensions (mm)	1850*2500*1250
Weight (kg)	870

Standard



Optional



TC60 Heavy Duty Tire Changer Machine



TC60 Tire Changer Machine is semiautomatic tyre changer suitable for mounting and demounting truck, agricultural, industrial and construction equipment wheels up to maximum width of 1500 mm. It is electro-hydraulic operated and the controls are all located together on a low voltage portable unit. The hydraulic turntable, with two rotation speeds in both directions, has top-range design features and uses choice materials. It assures excellent clamping during the delicate clamping, bead breaking and tyre demounting functions. Optional double speed feature give easiness while mounting demounting operation.

Technical informations

MODEL	TC60
Max Wheel Width	1500 mm
Max Wheel Weight	3500 Kg
Bead Breaker Power	4.000 kg
Voltage	380 V, 3 Phase
Handles Rims Capacity	14" 60"
Pump Motor	2,2 kw
Gearbox Motor	3 kw
Working Pressure	0-200 bar (Standard 180 bar)
Control Panel	24 V
Sound Level	70 dBA
Optional Specification	Double Speed

Standard



Optional



TC1324 Car & Truck Tire Changer Machine



Technical informations

MODEL	TC1324
Handles Rims Capacity	13" 24"
Max Wheel Diameter	1.120 mm
Rotation Speed	7 rpm
Bead Breaker Power	2000-2500 kg
Pump Motor	1.1 kw
Gearbox Motor	1.5 kw
Working Pressure	140 Bar
Control Panel	24 V
Sound Level	70 dBA
Voltage	380 V, 3 Phase

SL4000 Two Column Lift



The SL4000 Two Column Lift offers an excellent above-ground auto lift for any shop size. Designed for low clearance ceilings on the light-duty level. Features heavy-duty lifting chains that are raised by two hydraulic cylinders, mechanical safety latches, adjustable lift pads and a wide base to keep you supported for year of work.

Technical informations

MODEL	CAPACITY (kg)
SL4000	4000

HL3500-HL3500S Hydraulic Scissor Car Lift



Space-saving design helps turn wasted floor space into a valuable service area. Lifts raises to a full lifting height of 1 meter and 2 meter in just under one minute. Automatic safety locks secure lift at multiple service heights. An ergonomic control panel features simple push-button up and down controls and pneumatic safety release.

Technical informations

MODEL	CAPACITY (kg)	Lifting Height (m)
HL3500	3500	1
HL3500S	3500	2

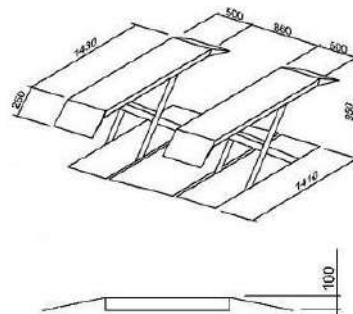
HL3000 Hydraulic Scissor Car Lift



HL3000 is wheels free hydraulic lift bridge with a low profile, designed and built to meet the requirements of the operator changing tyres in the tyre shop and for mechanical jobs such as oil changes, brake changes as it reaches a lifting height of around one meter.

Technical informations

MODEL	HL3000
Max Capacity	3.000 Kg
Voltage	3 PH, 380 V, 3 kw, 50 Hz
Up Going Time	12 second



Optional



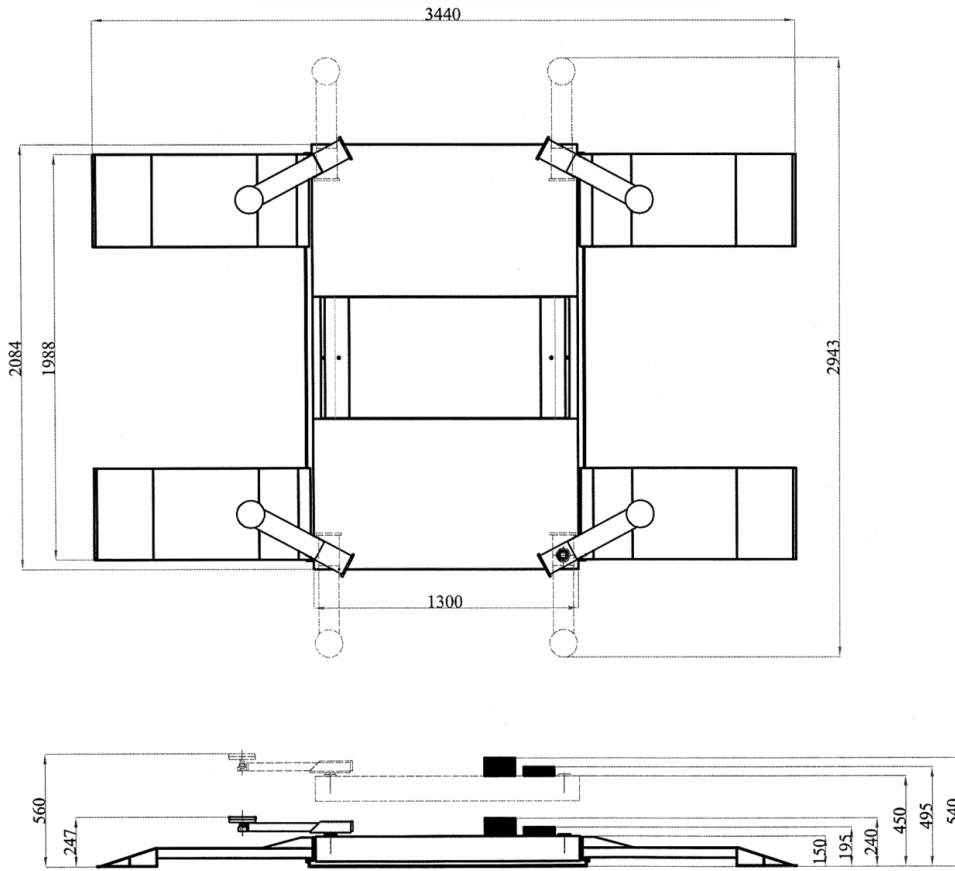
PL2500 Pneumatic Car Lift



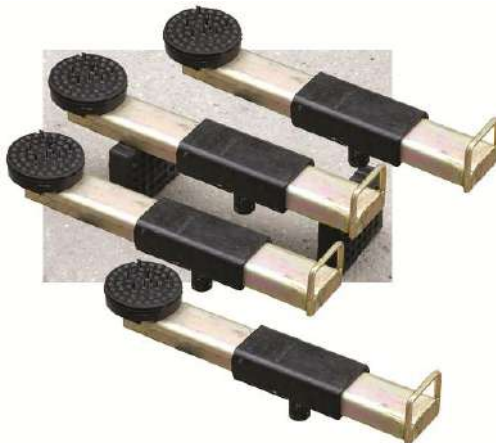
PL2500 Pneumatic Car Lift works only with air pressure. The lift doesn't drop back to security locking system during hose exploding. It is suitable to use in Brake and Wheel Services.

Technical informations

MODEL	PL2500
Max Capacity	2.500 Kg
Working Pressure	8-12 Bar
Max Width	2.250 mm
Max Length with Ramps	3.440 mm
Max Length without Ramps	1.400 mm
Min Height	150 mm
Max Height	450 mm
Dimensions	3440*1880*250 mm



Optional



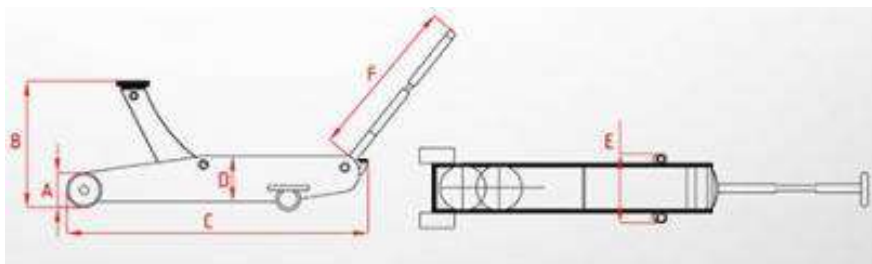
Crocodile Garage Jack



We have different types of Crocodile Garage Jacks for your needs with wide range of lifting capacity to use in your garage and service.

Technical informations

MODEL	CAPACITY (tone)	A (mm)	B (mm)	C (mm)	D (mm)	E (mm)	F (mm)	Weight (kg)
GK02	2	70	500	1000	145	370	850	45
GK03	3	100	520	1250	175	370	850	55
GK05	5	140	570	1500	210	380	850	74
GK08	8	140	600	1900	210	450	980	105
GK10K	10	200	650	1667	270	450	980	140
GK10	10	200	650	1900	270	450	980	150
GK15K	15	200	650	1667	270	450	980	140
GK15	15	200	650	1900	270	450	980	150
GK20	20	200	650	2150	270	450	980	175
GK30	30	200	650	2350	270	450	980	200



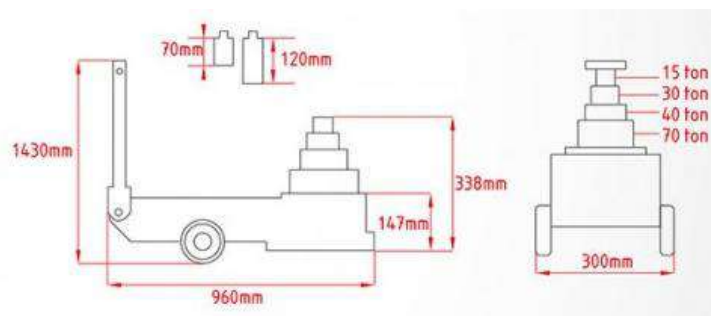
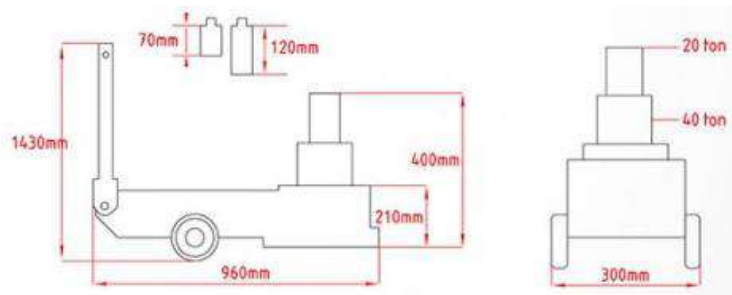
Hydro Pneumatic Trolley Jack



Hydro Pneumatic Trolley Jacks are designed for lifting all types of heavy commercial vehicles with capacity 15 tone to 70 tone.

Technical informations

MODEL	CAPACITY (tone)	Bar	Weight (kg)
HK2040	20-40	+8/12	75
HK1570	15-30-40-70	+8/12	92



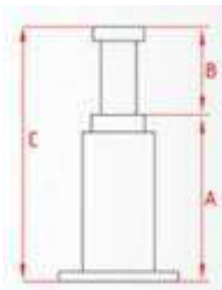
Hydro Pneumatic Bottle Jack



Hydro Pneumatic Bottle Jacks provides power to suit any lifting job. You can use it manually or pneumatically for lifting several kind of vehicles with 10 tone and 30 tone lifting capacity.

Technical informations

MODEL	CAPACITY (tone)	Bar	A (mm)	B (mm)	C (mm)	Weight (kg)
SK10	10	+8/12	250	230	480	13
SK30	30	+8/12	250	230	480	20
SK50	30	+8/12	250	230	480	30



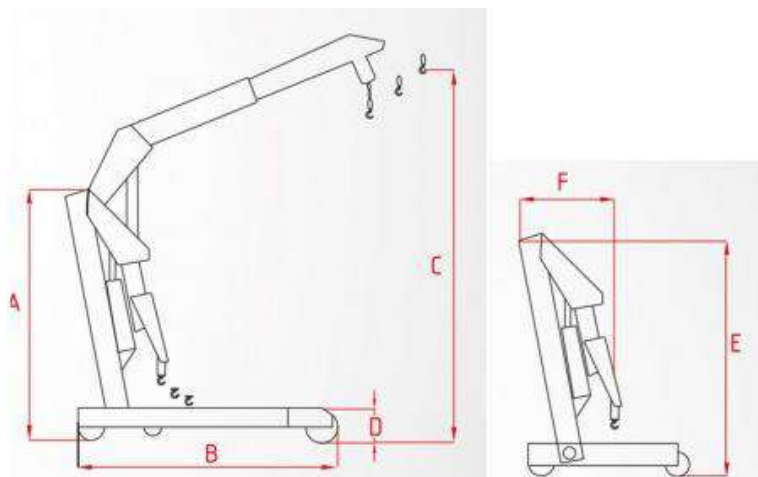
Hydraulic Folding Garage Crane - Lemko Type



Hydraulic Folding Garage Crane have maximum weight capacity 1000 kg and 2000 kg. Perfect design for use in professional or home garages. It can be easily folding after using. This crane is an excellent piece of equipment for workshop, garage or warehouse.

Technical informations

MODEL	CAPACITY (tone)	A (mm)	B (mm)	C (mm)	D (mm)	E (mm)	F (mm)	Weight (kg)
LKV01	1	1800	1650	2800	160	1602	650	105
LKV02	2	2000	1950	2800	220	2000	540	200



Hydraulic Garage Crane - Lemko Type



Hydraulic Garage Crane have maximum weight capacity 1000, 2000 and 3000 kg. Perfect design for use in workshop, garage or warehouse.

Technical informations

MODEL	CAPACITY (tone)	Weight (kg)
LV01	1	145
LV02	2	170
LV03	3	185

Hydraulic Counter Balance Garage Crane



Counter Balance Crane is used in many industries all over the world. They are suitable for heavy duty industrial or commercial use. The capacity is up to 1000 kg.

Technical informations

MODEL	CAPACITY (tone)	Weight (kg)
ALV01	1	200

Hydraulic Transmission Jack - Horizontal



Hydraulic Transmission Jack is designed for transmission work while the vehicle is on jack stands.

Technical informations

MODEL	CAPACITY (tone)	Weight (kg)
SKY01	1	55
SKY02	2	75

Hydraulic Transmission Jack – Vertical



A foot operated pump lets mechanics use both hands to position and align transmissions. This Hydraulic Transmission Jack reaches up to 2000 mm for use under lifts.

Technical informations

MODEL	CAPACITY (kg)	A (mm)	B (mm)	C (mm)	Weight (kg)
SKD500	500	1200	2000	315	30

Manual Hydraulic Jack



We have different types of Hydraulic Jacks with wide range of stroke and weight capacity.

Technical informations

MODEL	CAPACITY (tone)	A (mm)	Weight (kg)
MK1525	15	250	24
MK1560	15	600	42
MK2525	25	250	24
MK2540	25	400	40
MK2550	25	500	42
MK2560	25	600	45
MK5025	50	250	30
MK5050	50	500	45
MK5060	50	600	50

Electrical Hydraulic Jack



Technical informations

MODEL	CAPACITY (tone)
EK25	25

Spring Leaf Jack



Spring Leaf Jack provides power to carry leaves in the Garage or workshop. It is suitable to use for all kind of spring leaves.

Technical informations

MODEL
MK10

Pipe Bending Jack



Pipe Bending Jack Machine bends pipe with included bending dies.

Technical informations

MODEL
BB01

Auto Straightening Kit



Auto Straightening Kit is a set of heavy duty hydraulic equipment that you need for lifting, pushing, pulling, bending, straightening, and spreading. A must for a variety of auto body, frame repair, and construction jobs with its 5 tone capacity.

Technical informations

MODEL	CAPACITY (tone)	Weight (kg)
OD05	5	50

Brake Drum Hub Puller



Technical informations

MODEL
KP01

Engine Stand



Engine Stand has a 360° rotating head that allows for optimal access to any part of the load. When you've got an engine repair job that can't be completed while the engine block is in the vehicle, this engine stand provides a sturdy support structure that'll secure the removed engine in mid-air, so you can access any part of it. Use an engine crane to remove the engine from the vehicle, then mount it to the faceplate on this engine stand.

Technical informations

MODEL	CAPACITY (kg)
MS500	500

Engine Assembly Stand



Engine Assembly Stand is suitable for using car, truck and bus engine with its unique design.

Technical informations

MODEL
MTS01

Engine Support Bar



This heavy-duty steel Engine Support Bar/Engine Hanger enables you to work on engines, transmissions and other automotive components such as removing your transmission or transaxle.

Technical informations

MODEL	CAPACITY (kg)
MA500	500

Hydraulic Wheel Dolly



Hydraulic system provides smooth, positive power for the removal and installation of single, tandem and duplex tires with 500 kg lifting capacity.

Technical informations

MODEL	CAPACITY (kg)	Weight (kg)
LT5001	500	50
LT5002	500	60

Vehicle Stand



Vehicle Stands can support and hold most cars and trucks safely off the ground. It has capacity from 3 tone to 15 tone and easily position under your vehicle for repair work or storage. Portable and tough, these Vehicle Jack Stands are the perfect addition to any garage or auto shop.

Technical informations

MODEL	CAPACITY (tone)
AS03	3
AS06	6
AS12	12
AS15	15

Cartridge Bushing Jack

(Fastening and Disassembly)



MODEL
FB10

Piston Air Compressor

Single Stage – Double Stage



The piston air compressors designed with a wide product range for using many different industrial applications. Compressors produce with mentality that quality is not control of the post production, aware of philosophy of the life from beginning the production phase with the movement focused on user satisfaction is passing through a delicate mechanism of quality control. Compressors are meticulously designed with a password for high performance and long life.

Screw Air Compressors



Garage Technic offers superior compressed air performance in a compact, modern and quiet design. This extremely quiet rotary screw compressor features a continuous 100% duty cycle and operates without the high vibration and sound levels produced by typical reciprocating compressors. The perfect lubrication system, ensures screw blocks excellent lubrication for long lasting and efficient working.

Tank Mounted Screw Air Compressors



Tank Mounted Screw Air Compressors coupled structure with excellent design formed compressor, dryer and air tank is carefully combined. Compressor, air receiver and dryer assembled together occupy less space than located separately. The units forming system have separate control panels, if necessary, allows compressor and dryer to operate separately. Units in the system connected each other with short connections for banning possible pressure drops. Couple structure also avoid possible oil leakages.

Hydraulic Workshop Press



Hydraulic Workshop Press boosts productivity, efficiency and precision. It has different capacities from 10 tone to 250 tone with its high quality.

Technical informations

MODEL	CAPACITY (tone)
AP10	10
AP15	15
AP25	25
AP30	30
AP50	50
AP80	80
AP100	100
AP150	150
AP200	200
AP250	250

Manual Workshop Press



Heavy-duty H-frame has a 10 tone to 25 tone hydraulic bottle jack. Excellent for straightening, stamping and bending work. Open side heavy duty construction allows work on the longest work pieces.

Technical informations

MODEL	CAPACITY (tone)
MP10	10
MP15	15
MP25	25

Pneumatic Brake Shoe Riveting Press (Fastening and Disassembly)



Pneumatic Brake Shoe Riveting Machines are capable of riveting and de-riveting for most car and commercial brake shoes and clutches. Powered by compressed air and operated with a foot Control. It is suitable for general workshop applications.

Technical informations

MODEL	CAPACITY (kg)	Height (cm)	Weight (kg)
PM030	5850	150	140

Pneumatic Brake Shoe Riveting Press



Pneumatic Brake Shoe Riveting Machines are capable of riveting for most car and commercial brake shoes and clutches. Powered by compressed air and operated with a foot Control. It is suitable for general workshop applications.

Technical informations

MODEL	CAPACITY (kg)	Height (cm)	Weight (kg)
PM020	3500	150	110

Manual Brake Shoe Riveting Press



Manual Brake Shoe Riveting Machines are foot powered machines. It is suitable for car and light commercial vehicle brake shoes and clutches. Ideal for low volume applications and workshop with no air source.

Technical informations

MODEL	CAPACITY (kg)	Height (cm)	Weight (kg)
PM010	500	130	50

Air Operated Waste Oil Drainers



Air Operated waste oil suction/drainer is a versatile, innovative oil suction/drainer that can be used to change oil on all types of Automobiles and heavy-duty trucks. Not for use with corrosive or flammable fluids. Air pressure required for operation.

Technical informations

MODEL	CAPACITY (lt)
YBT60	60
YBT80	80
YBT100	100
YBT100-T	100

Waste Oil Suction Machine/ Air Operated Oil Changer



Oil Suction Machines for any kind of motor vehicle with several kind of liter capacity. Air pressure required for operation.

Technical informations

MODEL	CAPACITY (lt)
YEP801	80+9
YEP802	80+9
YEP803	80
YEP804	80+7+20
YEP805	80+20

Coil Car (Roll Transporter)



Coil Cars are designed for carry the coils and rolls with trolley. It has 600 kg and 800 kg capacity. Model RB800T has scale as extra.

Technical informations

MODEL	CAPACITY (kg)	Min Height (mm)	Max Height (mm)	Width (mm)
RB600	600	120	720	650
RB800	800	130	850	650
RB800T	800	130	1150	650

Manual Transpallet



Manual Transpallet is working with hydraulic system to load the pallets in your Garage our storage. In addition it is suitable to load pallets onto the truck on flat surfaces.

Technical informations

MODEL	CAPACITY (tone)
MT10	1
MT15	1,5

Electrical Transpallet



Electrical Transpallet is working with electrical to load the pallets quickly. You can easily use with hand operated machine and load the pallets to the high places.

Technical informations

MODEL	CAPACITY (tone)
ET10	1



HEAD OFFICE

Fatih Mh. Oto Parçacılar Sitesi Boyluca Sk. C Blok No:28 Selçuklu / Konya / TURKEY
Tel: +90332 352 62 11

BRANCH OFFICE

Mecidiyeköy Mh. Şehit Ertuğrul Kabataş Cd. Canitez İşhanı No:3/12 Şişli / İstanbul / TURKEY
Tel: +90212 356 96 16

E-MAIL

info@garagetechnic.com
export@garagetechnic.com

www.garagetechnic.com